

“Your Filter—Our Capsule”

Quick Connect Capsule

The Quick Connect™ capsule is a unique, disposable polypropylene filter capsule that seals and encapsulates industry-standard 2-inch to 40-inch length filter cartridges.

The Quick Connect capsule has a vent and drain option and incorporates an O-ring seal that seats directly into a stationary in-line, C-clamp manifold.

Quick Connect C-Clamp In-Line Manifold

- 303 Stainless Steel C-clamp with 3/4-inch female NPT connections
- Standard manifold: glass-filled polypropylene
- Optional manifold: high-purity polypropylene, black polypropylene, 316 Stainless Steel

Quick Connect Capsule

- Capsules fit 2-inch to 40-inch length industry-standard filter cartridges
- 100% FDA approved polypropylene components
- Proprietary thermal bonding process with no extractables
- Maximum operating pressure 125 psi @ 125° F
- Optional 1/4-inch vent and drain with caps
- Full selection of O-ring materials
- Seals and encapsulates either single open end (222) or double open end (knife edge) industry-standard filter cartridges
- Customized with your label and part number



*Quick Connect
C-clamp in-line manifold*



*Optional Stainless Steel
wall mounting bracket*

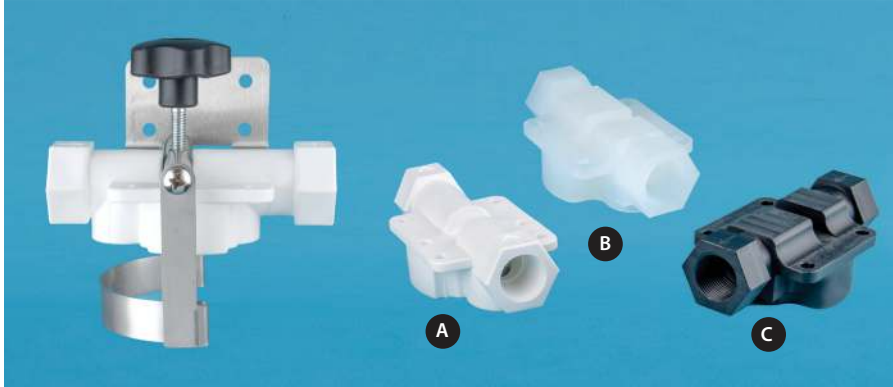


*TOP view capsule
with O-rings*

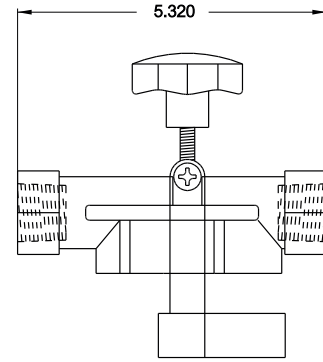


*BOTTOM view capsule
with optional drain caps*

Specifications



Standard manifold material is glass-filled polypropylene (A), with optional high purity virgin polypropylene (B), black polypropylene (C) and Stainless Steel (not pictured)



3/4" NPT Quick Connect C-clamp manifold face-to-face dimension

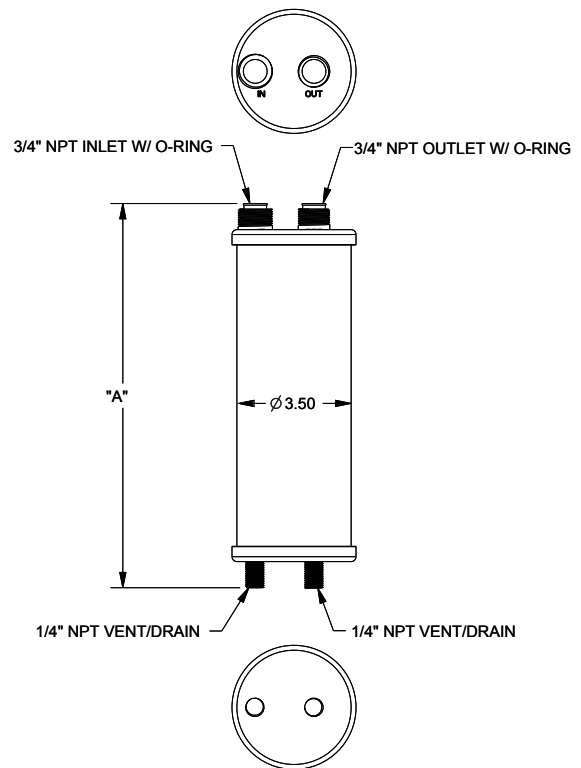
Completed Capsule Length

Capsule Part #	Length "A" DOE/SOE
QC-2	5"/5.75"
QC-4	7"/7.5"
QC-5	8"/8.75"
QC-10	13"/13.75"
QC-20	23"/23.75"
QC-30	33"/33.75"
QC-40	43"/43.75"

NOTE: Listed length specifications are approximate and vary depending on the length of the filter cartridge supplied for encapsulation.

Quick Connect C-Clamp In-Line Manifold Part Number

Manifold Part #	Filter Cartridge Type
QCM-G (standard)	Glass-filled polypropylene
QCM-HP	High-purity virgin polypropylene
QCM-B	Black polypropylene
QCM-S	316 Stainless Steel
QC-MB	Optional 303 Stainless Steel mounting bracket with hardware



Ordering Information

How to order:

QC S C 2 E OC

Capsule Type	Filter Cartridge Type	Color	Filter Length	O-ring	Vent/Drain
QC	S - Single Open End -222	C - Clear	2"	E - EPDM	OC - 1/4" vent/drain with cover nuts
	D - Double Open End	B - Black	4"	S - Silicone	O - 1/4" vent/drain open without cover nuts
	NF - No Filter		5"	B - Buna	C - 1/4" vent/drain closed (not ported)
			10"	V - Viton	R - 1/4" vent/drain removed
			20"		
			30"		
			40"		